

AE²

Information Package



Tecumseh



AE² External
Information Package

AE² Agenda

AE² Informationspaket

Why a new AE ² ?	3
AE ² Compressor Range	4
AE ² Voltage Types	11
AE ² Development Ranking	12
AE ² Product Description Nomenclature – Tecumseh Europe.....	13
AE ² Certifications	14
AE ² Tube Configuration.....	15
AE ² Mounting Brackets	17
AE ² Technical Data HP 134a	18
AE ² Technical Data LBP 404A	19
AE ² Technical Data HP 404A	20
AE ² Technical Data HP R290.....	21
AE ² Technical Data LBP R290	22
Benefits AE ² compared to AE Range.....	23
AE ² Spare Part References	26
AE ² Multiple Packaging	28
AE ² Unitary Packaging.....	28
AE ² Condensing Units.....	29
AE ² Condensing Units Technical Data	31
Discontinued AE/AEZ Products	32

Why a new AE²?

REDUCED ENERGY CONSUMPTION

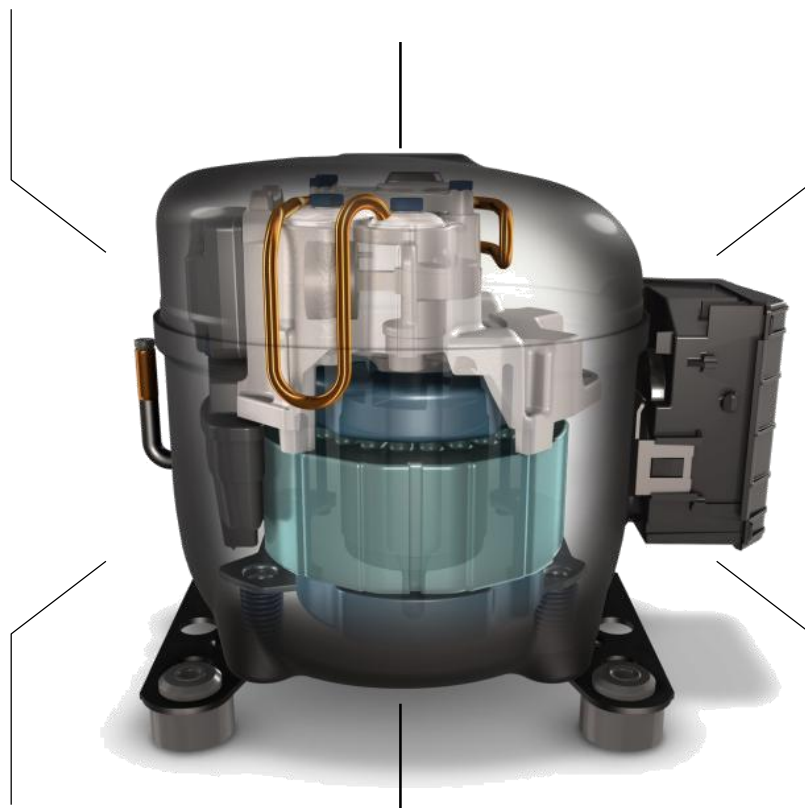
Most efficient compressor of its size on the market.

WIDER CAPACITY IN A SMALLER ENVELOPE

Reduced size envelope covers capacities normally served by larger compressors.

ENVIRONMENTALLY FRIENDLY

Designed for optimal performance with “Green” hydrocarbon refrigerant R290. (Supports HFCs R134a and R404A).



SERVICE AND SUPPORT

Backed by Tecumseh’s network of knowledgeable application engineers, test labs & support personnel.

PRODUCT OFFERING

Available across the globe, with flexibility to meet regional needs and agency approvals.

PROVEN RELIABILITY

Leverages robust design attributes developed from 50 years of AE commercial refrigeration experience.

AE² Compressor Range

PRESENTATION OF NEW AE² RANGE

R290 (Propane)		R134a		R404A		R22	R407C
LBP	HBP	LBP	HBP	LBP	HBP	HBP	AC
AE2410U	AE4425U	AE1390Y	AE4425Y	AE2410Z	AE4425Z	AE4425E	AE5465C
AE2415U	AE4430U	AE2410Y	AE4430Y	AE2415Z	AE4430Z	AE4430E	AE5470C
AE2420U	AE4440U	AE2413Y	AE4440Y	AE2420Z	AE4440Z	AE4440E	
	AE4450U	AE2415Y	AE4450Y	AE2425Z	AE4450Z	AE4450E	
	AE4460U		AE4456Y		AE4460Z	AE4460E	
			AE4460Y		AE4470Z	AE4470E	

- New AE² range covers the AEZ/AE range
- On top of the range R134a and R404A and R407C, AE² is available with R290
- The R134a HP range enlarged with AE4460Y, more capacity within the same size

AE² Compressor Range

CURRENT AVAILABILITY OF AE² COMPRESSOR MODELS - HBP R134A

HBP R134a				
Compressor AEZ/AE	Désignation Compressor AE ²	Voltage	BOM AE ²	Particularities
AEZ4425Y / AE3425Y	AE4425Y	FZ	AE-1013-FR	Standard
			AE-1014-FR	cable clamp and terminal board
		GS	AE-1054-FR	Standard
			AE-1055-FR	cable clamp and terminal board
		AA	AE-1071-FR	Standard
			AE-1072-FR	cable clamp and terminal board
AEZ4430Y	AE4430Y	FZ	AE-1036-BF	Standard
			AE-1037-BF	cable clamp and terminal board
		AA	AE-1035-FR	Standard
			AE-1036-FR	cable clamp and terminal board
		GS	AE-1056-FR	Standard
			AE-1057-FR	cable clamp and terminal board
CAE4440Y / AE3440Y	AE4440Y	FZ	AE-1038-BF	Standard
			AE-1039-BF	cable clamp and terminal board
		AA	AE-1050-FR	Standard
			AE-1051-FR	cable clamp and terminal board
		GS	AE-1046-FR	Standard
			AE-1047-FR	cable clamp and terminal board
CAE4448Y	AE4450Y	FZ	AE-1020-BF	Standard
			AE-1021-BF	cable clamp and terminal board
		AA	AE-1052-FR	Standard
			AE-1053-FR	cable clamp and terminal board
		ES	AE-1060-FR	Standard
			AE-1061-FR	cable clamp and terminal board
		FS	AE-1100-FR	Standard
			AE-1101-FR	cable clamp and terminal board
GS	AE-1070-FR	Junior Box		
CAE4456Y	AE4456Y	FZ	AE-1034-BF	Standard
			AE-1035-BF	cable clamp and terminal board
		GS	AE-1111-FR	Junior Box
		AA	AE-1076-FR	Standard
			AE-1077-FR	cable clamp and terminal board
AE4460Y	AE4460Y	FZ	AE-1015-FR	Junior Box
		AA	AE-1114-FR	Junior Box
		GS	AE-1112-FR	Junior Box

AE² Compressor Range

CURRENT AVAILABILITY OF COMPRESSOR MODELS - LBP R134a

LBP R134a					
Compressor AEZ/AE	Replacement Compressor	Voltage	BOM	Particularities	Availability
AEZ1380Y	AE1390Y	FZ	AE-1019-BF	Standard	available
			AE-1017-BF	cable clamp and terminal board	available
AEZ1370Y	THG1374YS	FZ	2077831152	Standard	Jan. 2015
AEZ1365Y	THG1365YS	FZ	2077431152	Standard	available
CAE2410Y / AE1410Y	AE2410Y	FZ	AE-1052-BF	cable clamp and terminal board	Jan. 2015
CAE2412Y / AE1412Y	AE2413Y	FZ	AE-1053-BF	cable clamp and terminal board	Jan. 2015
CAE2414Y	AE2415Y	FZ	ongoing	cable clamp and terminal board	Jan. 2015

AE² Compressor Range

CURRENT AVAILABILITY OF AE² COMPRESSOR MODELS - HBP R404A

HBP R404A				
Compressor AEZ/AE	Compressor AE ²	Voltage	BOM AE ²	Particularities
AEZ4425Z	AE4425Z	FZ	AE-1005-FR	Standard
			AE-1006-FR	cable clamp and terminal board
		AA	AE-1062-FR	Standard
			AE-1063-FR	cable clamp and terminal board
		GS	AE-1048-FR	Standard
			AE-1049-FR	cable clamp and terminal board
AEZ4430Z / AE3430Z	AE4430Z	FZ	AE-1007-FR	Standard
			AE-1008-FR	cable clamp and terminal board
		AA	AE-1086-FR	Standard
			AE-1087-FR	cable clamp and terminal board
		GS	AE-1078-FR	Standard
			AE-1079-FR	cable clamp and terminal board
AEZ4440Z / AEZ3440Z / AE9440Z	AE4440Z	FZ	AE-1003-FR	Standard
			AE-1004-FR	cable clamp and terminal board
		AA	AE-1088-FR	Standard
			AE-1089-FR	cable clamp and terminal board
		GS	AE-1058-FR	Standard
			AE-1059-FR	cable clamp and terminal board
CAE4450Z / AE3450Z / CAE9450Z	AE4450Z	FZ	AE-1017-FR	Standard
			AE-1018-FR	cable clamp and terminal board
		FS	AE-1064-FR	Standard
			AE-1065-FR	cable clamp and terminal board
		ES	AE-1073-FR	Standard
			AE-1074-FR	cable clamp and terminal board
		AA	AE-1104-FR	Standard
			AE-1105-FR	cable clamp and terminal board
		GS	AE-1083-FR	Junior Box
		CAE4460Z / CAE9460Z	AE4460Z	FZ
AE-1002-FR	cable clamp and terminal board			
GS	AE-1080-FR			Junior Box
AA	AE-1066-FR			Standard
	AE-1067-FR			cable clamp and terminal board
CAE4470Z / CAE9470Z	AE4470Z	FZ	AE-1016-FR	Junior Box
		ES	AE-1069-FR	Junior Box
		FS	AE-1099-FR	Junior Box
		AA	AE-1075-FR	Junior Box

AE² Compressor Range

CURRENT AVAILABILITY OF AE² MODELS - LBP R404A

LBP R404A				
Compressor AEZ/AE	Compressor AE ²	Voltage	BOM AE ²	Particularities
AEZ2411Z	AE2410Z	AA	AE-1092-FR	Standard
			AE-1093-FR	cable clamp and terminal board
		GS	AE-1108-FR	Standard
			AE-1109-FR	cable clamp and terminal board
		FZ	AE-1025-FR	Standard
			AE-1026-FR	cable clamp and terminal board
AEZ2415Z	AE2415Z	AA	AE-1106-FR	Standard
			AE-1107-FR	cable clamp and terminal board
		FZ	AE-1009-FR	Standard
			AE-1010-FR	cable clamp and terminal board
		GS	AE-1081-FR	Standard
			AE-1082-FR	cable clamp and terminal board
CAE2417Z / AE1417Z / CAE2420Z / AE1420Z	AE2420Z	FZ	AE-1029-FR	Standard
			AE-1030-FR	cable clamp and terminal board
		AA	AE-1027-FR	Standard
			AE-1028-FR	cable clamp and terminal board
		GS	AE-1102-FR	Junior Box
		CAE2424Z	AE2425Z	FZ
ES	AE-1103-FR			Junior Box
FS	AE-1110-FR			Junior Box
AA	AE-1068-FR			Junior Box

AE² Compressor Range

CURRENT AVAILABILITY OF AE² COMPRESSOR MODELS - HBP R290

HBP R290			
Compressor AE ²	Voltage	BOM AE ²	Particularities
AE4425U	FZ	AE-1040-FR	Standard
		AE-1041-FR	cable clamp and terminal board
AE4430U	FZ	AE-1019-FR	Standard
		AE-1020-FR	cable clamp and terminal board
AE4440U	FZ	AE-1021-FR	Standard
		AE-1022-FR	cable clamp and terminal board
AE4450U	FZ	AE-1023-FR	Standard
		AE-1024-FR	cable clamp and terminal board
AE4460U	FZ	AE-1037-FR	Standard
		AE-1038-FR	cable clamp and terminal board

CURRENT AVAILABILITY OF AE² COMPRESSOR MODELS - LBP R290

LBP R290			
Compressor AE ²	Voltage	BOM AE ²	Particularities
AE2410U	FZ	AE-1042-FR	Standard
		AE-1043-FR	cable clamp and terminal board
AE2415U	FZ	AE-1011-FR	Standard
		AE-1012-FR	cable clamp and terminal board
AE2420U	FZ	AE-1044-FR	Standard
		AE-1045-FR	cable clamp and terminal board

CURRENT AVAILABILITY OF AE² COMPRESSOR MODELS AE² R407C

R407C					
Compressor AEZ/AE	Compressor AE ²	Voltage	BOM AE ²	Particularities	Availability
AE5465C	AE5465C	FZ	AE-1120-FR	PSC	Nov. 2014
	AE5465C	FZ	AE-1118-FR	CSR	Nov. 2014
AE5470C	AE5470C	FZ	AE-1121-FR	PSC	available
	AE5470C	FZ	AE-1117-FR	CSR	Nov. 2014

AE² Compressor Range

CURRENT AVAILABILITY OF AE² COMPRESSOR MODELS - HBP R22

HBP R22			
Compressor AEZ/AE	Voltage	BOM AE ²	Particularities
AE4425E	FZ	AE-1043-BF	cable clamp and terminal board
AE4430E	FZ	AE-1051-BF	cable clamp and terminal board
AE4440E	FZ	AE-1044-BF	cable clamp and terminal board
AE4450E	FZ	AE-1045-BF	cable clamp and terminal board
AE4460E	FZ	AE-1046-BF	cable clamp and terminal board
AE4470E	FZ	AE-1047-BF	cable clamp and terminal board

AE² Voltage Types

VOLTAGE RATIONALISATION

Voltage types AEZ/AE	Voltage types AE ²	
FZ (220v-240v / 50Hz)	FZ (220v-240v / 50Hz)	
XA (100-115V - 50/60Hz)	AA (115v / 60hz)	
HZ (208V / 60hz)	GS (220v / 50/60Hz)	ES (220V / 60Hz)
CZ (208V / 50Hz - 230V / 60Hz)		
GZ (208v / 50Hz)		FS (220V / 50Hz)
WZ	not developed	

The **AE²** compressors will be developed in priority with tension **FZ**, **AA** and **GS** (dual - frequency).

If the voltage **GS** is technically not feasible, the model will be developed, with **ES** and **FS** voltage.

Voltage Range

Code	Voltage	60 Hz		50 Hz	
		Mini	Maxi	Mini	Maxi
AA	115V 1 ~ 60 Hz	103	127	----	----
ES	220V 1 ~ 60 Hz	187	242	----	----
FS	220V 1 ~ 50 Hz	----	----	180	242
FZ	220V-240V 1 ~ 50 Hz	----	----	198	253
GS	220V 1 ~ 50Hz/60 Hz	187	242	180	242

AE² Development Ranking

	FZ (220V/240V- 50Hz)	AA (115V - 60Hz)	GS (220V - 50/60Hz)	ES (220V - 60Hz)	FS (220V - 50Hz)
AE4425Y	CSIR	CSIR	CSIR		
AE4430Y	CSIR	CSIR	CSIR		
AE4440Y	CSIR	CSIR	CSIR		
AE4450Y	CSIR	CSIR	CSR	CSIR	CSIR
AE4456Y	CSIR	CSIR	CSR		
AE4460Y	CSR	CSR	CSR		
AE4425Z	CSIR	CSIR	CSIR		
AE4430Z	CSIR	CSIR	CSIR		
AE4440Z	CSIR	CSIR	CSIR		
AE4450Z	CSIR	CSIR	CSR	CSIR	CSIR
AE4460Z	CSIR	CSIR	CSR		
AE4470Z	CSR	CSR		CSR	CSR
AE4425U	CSIR				
AE4430U	CSIR				
AE4440U	CSIR				
AE4450U	CSIR				
AE4460U	CSIR				
AE2410Z	CSIR	CSIR	CSIR		
AE2415Z	CSIR	CSIR	CSIR		
AE2420Z	CSIR	CSIR	CSR		
AE2425Z	CSR	CSR		CSR	CSR
AE2410U	CSIR				
AE2415U	CSIR				
AE2420U	CSIR				

CSIR VERSION



CSR VERSION



AE² Product Description Nomenclature – Tecumseh Europe

AE4430 Y – FZ 1 A _ DCAE132. 2001

Refrigerant

Y = R134a
Z = R404A
U = R290

Voltage

FZ, AA, GS (ES, FS)

Index Compressor
Motor Evolution

1 = without permanent capacitor
2 = with permanent capacitor as an option
3 = with permanent capacitor

Drawing / Definition of the
Compressor

(Height, Tube Positioning,
Footprint)

Sales Options

2000: without terminal
board and cable clamp

2001: with terminal
board and cable clamp

2006: with junior box

AE² Certifications

Model	Spannung	UL (US)/CSA Canada	VDE (Western Europe)	CCC (China)	GOST (Russia)	GOST (Ukraine)	IRAM (Argentina)	SGS (South America)	CE (India)	SASO (KSA)
AE4425Y	FZ		X	X	X	X				
	AA	X			X	X				X
	GS	X			X	X				X
AE4430Y	FZ		X	X	X	X				
	AA	X			X	X				X
	GS	X			X	X				X
AE4440Y	FZ		X	X	X	X				
	AA	X			X	X				X
	GS	X			X	X				X
AE4450Y	FZ		X	X	X	X				
	AA	X			X	X				X
	ES	X			X	X				
	FS				X	X				
AE4456Y	FZ		X	X	X	X				
	AA	X			X	X				X
	GS	X			X	X				X
AE4460Y	FZ		X	X	X	X				
	GS	X			X	X				X
	AA	X			X	X				

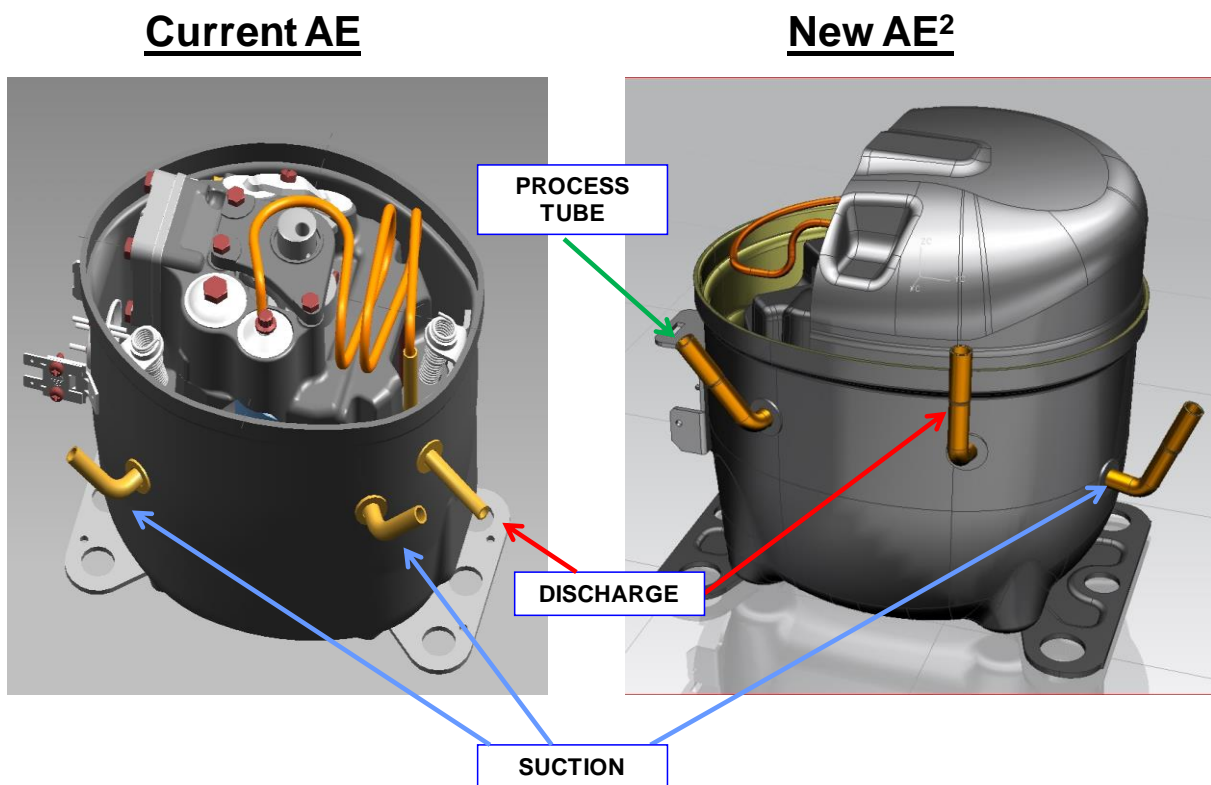
Model	Spannung	UL (US)/CSA Canada	VDE (Western Europe)	CCC (China)	GOST (Russia)	GOST (Ukraine)	IRAM (Argentina)	SGS (South America)	CE (India)	SASO (KSA)
AE4425Z	FZ		X	X	X	X				
	AA	X			X	X				X
	GS	X			X	X				
AE4430Z	FZ		X	X	X	X				
	AA	X			X	X				
	GS	X			X	X				
AE4440Z	FZ		X	X	X	X				
	AA	X			X	X				
	GS	X			X	X				X
AE4450Z	FZ		X	X	X	X				
	AA	X			X	X				
	GS	X			X	X				
	ES	X			X	X				
AE4460Z	FZ		X	X	X	X				
	AA	X			X	X				
	GS	X			X	X				X
AE4470Z	FZ		X	X	X	X				
	AA	X			X	X				
	ES	X			X	X				X
	FS				X	X				

Model	Spannung	UL (US)/CSA Canada	VDE (Western Europe)	CCC (China)	GOST (Russia)	GOST (Ukraine)	IRAM (Argentina)	SGS (South America)	CE (India)	SASO (KSA)
AE2410Z	FZ		X		X	X				
	AA	X			X	X				
	GS	X			X	X				
AE2415Z	FZ		X	X	X	X				
	AA	X			X	X				
	GS	X			X	X				
AE2420Z	FZ		X	X	X	X				
	AA	X			X	X				X
	GS	X			X	X				X
AE2425Z	FZ		X	X	X	X				
	AA	X			X	X				
	ES				X	X				X
	FS				X	X				

AE² Tube Configuration

TUBE CONFIGURATION

The tube position of AE² compressor have to be respected (process, suction and discharge) and cannot be assembled with inverted positions.



AE² Tube Configuration

TUBE CONFIGURATION

One document is included in each packaging (single and industrial packaging)

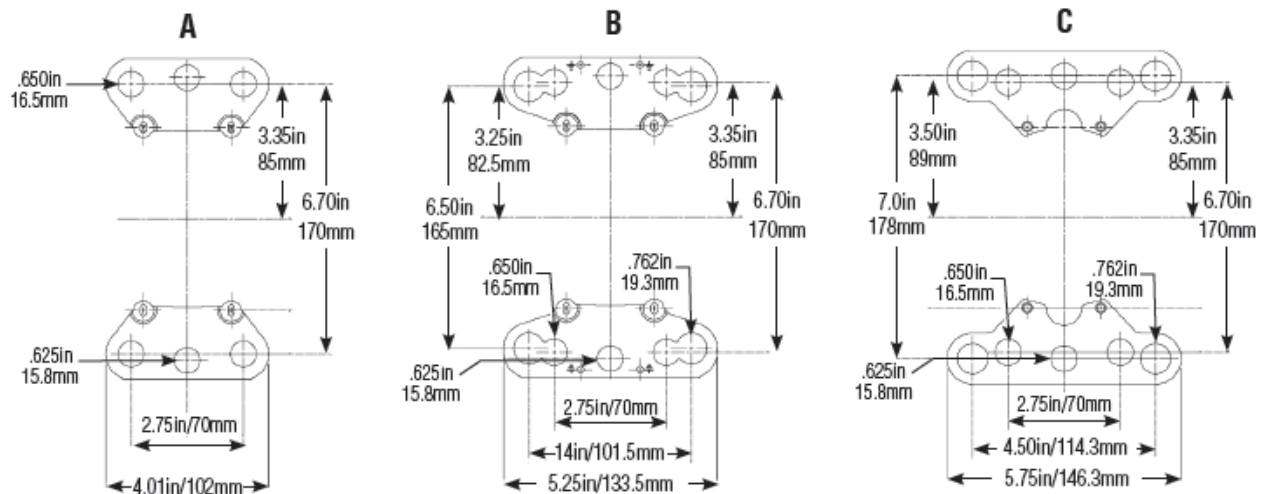
<p>Processo Prozessanschluss Process Processo Proceso Технологический Process ماسورة الخدمة</p>	<p>Descarga Druckanschluss Discharge Mandata Descarga Нагревающий Refolement ماسورة الطرد</p>
<p>Sucção Sauganschluss Suction Aspirazione Succión Всасывающий Aspiration ماسورة السحب</p>	

<p> Atenção! Respeite as posições dos tubos (processo, sucção e descarga) que não poderão ser montados invertidos.</p> <p> Caution! Respect the tubes position (process, suction and discharge) that can not be assembled with changed positions.</p> <p> ¡Atención! Respeite la posición de los tubos (proceso, succión y descarga) que no se la podrá cambiar.</p> <p> Attention Veuillez respecter les positions des tubes (process, aspiration et refolement) qui ne doivent pas être inversés.</p>	<p> Achtung, wichtiger Hinweis! Bitte beachten Sie die Position der Lötanschlüsse (Prozess, Saug- und Druckanschluss)!</p> <p> Rispettate le posizioni indicate per i tubi (processo, aspirazione e mandata), non devono essere invertite.</p> <p>Внимание Необходимо соблюдать правильное расположение трубопроводов (всасывающий, нагревающий и технологический), которые нельзя менять местами.</p> <p>تُحذِر "يجب الالتزام بوضع المواسير (ماسورة الخدمة ، ماسورة السحب و ماسورة الطرد) حيث لا يمكن استخدام أي منها كبديل للأخرى "</p>
-----------------------------------------------------------------------------------------------------------------------------------------------------------------------------------------------------------------------------------------------------------------------------------------------------------------------------------------------------------------------------------------------------------------------------------------------------------------------------------------------------------------------------------------------------	------------------------------------------------------------------------------------------------------------------------------------------------------------------------------------------------------------------------------------------------------------------------------------------------------------------------------------------------------------------------------------------------------------------------------------------------------------------------------------------------------------------------------------------------------------------------------------

AE² Mounting Brackets

3 DIFFERENT BASE PLATE FOOTPRINTS:

Base Plate Footprint/Entraxe patte de fixation



AE² Technical Data HP 134a

Compressors	Voltage	Displacement CC	Motor	Cooling capacity (Watt) EN12900 condensing T° +45°C , subcooling 0K, Return Gas 20°C							EN12900 evaporating T° -10°C		Weight Kg
				evaporating T°							Power input(Wa tt)	COP (W/W)	
				-15	-10	-5	0	5	10	15			
AE4425Y	FZ/AA/GS	6,69	CSIR	249	324	414	519	644	788	955	215	1,51	9,1
AE4430Y	FZ/AA/GS	8,02	CSIR	294	382	488	613	760	930	1127	237	1,61	9,4
AE4440Y	FZ/AA/GS	10,33	CSIR	399	508	637	790	968	1176	1417	302	1,68	9,6
AE4450Y	FZ/AA/GS/ES/FS	13,24	CSIR	526	672	843	1042	1273	1540	1847	370	1,82	10,5
AE4456Y	FZ/AA/GS	14,51	CSIR	579	737	921	1133	1380	1664	1990	424	1,74	11
AE4460Y	FZ/GS	15,09	CSIR	608	774	967	1190	1449	1747	2090	480	1,61	11,3

Compressors	Voltage	Tube diameter			Weight (kg)	Mounting Brackets (mm)
		Suction (mm/inches)	discharge (mm/inches)	process (mm/inches)		
AE4425Y	FZ/AA/GS	6,35 - 1/4"	4,76 - 3/16"	6,35 - 1/4"	9,1	170x70
AE4430Y	FZ/AA/GS	6,35 - 1/4"	4,76 - 3/16"	6,35 - 1/4"	9,4	170x70
AE4440Y	FZ/AA/GS	7,9 - 5/16"	6,35 - 1/4"	6,35 - 1/4"	9,6	165x101,6
AE4450Y	FZ/AA/GS/ES/FS	9,5 - 3/8"	6,35 - 1/4"	6,35 - 1/4"	10,5	178x114,3
AE4456Y	FZ/AA/GS	9,5 - 3/8"	6,35 - 1/4"	6,35 - 1/4"	11	178x114,3
AE4460Y	FZ/GS/AA	9,5 - 3/8"	6,35 - 1/4"	6,35 - 1/4"	11,3	178x114,3

AE² Technical Data

LBP 404A

Models	voltage types available	Displacement (cm ³)	Motor Type	Refrigeration Capacity (Watt) EN12900 T° condensing +40°C , sub-cooling 0K, RTG 20°C						EN12900 T° evaporating -35°C	
				T° evaporating						P abs	COP
				-35°C	-30°C	-25°C	-20°C	-15°C	-10°C		
AE2410Z	FZ/AA/GS	5,02	CSIR	140	189	246	315	398	496	159	0,88
AE2415Z	FZ/AA/GS	7,33	CSIR	186	251	327	419	529	660	206	0,90
AE2420Z	FZ/AA/GS	9,35	CSIR	257	346	451	578	730	911	305	0,84
AE2425Z	FZ/AA/ES/FS	12,01	CSR	334	450	587	752	949	1184	367	0,91

Models	tube diameter			Weight (kg)	Mounting Brackets (mm)
	suction (mm/inches)	discharge (mm/inches)	process (mm/inches)		
AE2410Z	6,35 - 1/4"	4,76 - 3/16"	6,35 - 1/4"	9,9	170X70
AE2415Z	6,35 - 1/4"	4,76 - 3/16"	6,35 - 1/4"	10	170X70
AE2420Z	9,5 - 3/8"	6,35 - 1/4"	6,35 - 1/4"	10,1	165X101,6
AE2425Z	9,5 - 3/8"	6,35 - 1/4"	6,35 - 1/4"	10,1	178X114,3

AE² Technical Data HP 404A

Models	voltage types available	Displacement (cm ³)	Motor Type	Refrigeration Capacity (Watt) EN12900 T° condensing +45°C , sub-cooling 0K, RTG 20°C							EN12900 T° evaporating -10°C	
				T° evaporating							P abs (Watt)	COP (W/W)
				-15	-10	-5	0	5	10	15		
AE4425Z	FZ/GS/AA	4,24	CSIR	257	326	407	502	613	741	889	213	1,53
AE4430Z	FZ/GS/AA	5,16	CSIR	320	404	500	611	740	888	1057	266	1,52
AE4440Z	FZ/GS/AA	6,69	CSIR	433	546	676	826	1000	1199	1427	341	1,60
AE4450Z	FZ/FS/ES/GS	8,85	CSIR	576	720	885	1074	1289	1534	1812	445	1,62
AE4460Z	FZ/GS/AA	10,33	CSR	713	875	1062	1275	1519	1799	2117	524	1,67
AE4470Z	FZ/AA/FS/ES	12,01	CSR	843	1035	1251	1495	1773	2088	2447	620	1,67

Models	tube diameter			Weight (kg)	Mounting Brackets (mm)
	suction (mm/inches)	discharge (mm/inches)	process (mm/inches)		
AE4425Z	6,35 - 1/4"	4,76 - 3/16"	6,35 - 1/4"	10	70X170
AE4430Z	6,35 - 1/4"	4,76 - 3/16"	6,35 - 1/4"	10	70X170
AE4440Z	9,5 - 3/8"	6,35 - 1/4"	6,35 - 1/4"	10,2	114,3X178
AE4450Z	9,5 - 3/8"	6,35 - 1/4"	6,35 - 1/4"	10,5	114,3X178
AE4460Z	9,5 - 3/8"	6,35 - 1/4"	6,35 - 1/4"	11	114,3X178
AE4470Z	9,5 - 3/8"	6,35 - 1/4"	6,35 - 1/4"	11,2	114,3X178

AE² Technical Data

HP R290

Models	voltage types available	Displacement (cm ³)	Motor Type	Refrigeration Capacity (Watt) EN12900 T° condensing +45°C, sub-cooling 0K, RTG 20°C							EN12900 T° evaporating-10°C	
				T° evaporating							P abs (Watt)	COP (W/W)
				-15	-10	-5	0	5	10	15		
AE4425U	FZ	5,02	CSIR	276	348	430	523	629	749	884	195	1,78
AE4430U	FZ	6,12	CSIR	331	417	516	628	755	899	1061	239	1,74
AE4440U	FZ	8,02	CSIR	434	546	676	823	989	1178	1390	322	1,70
AE4450U	FZ	10,33	CSIR	608	741	892	1065	1262	1485	1738	421	1,76
AE4460U	FZ	12,01	CSIR	729	889	1070	1278	1514	1782	2085	478	1,86

Models	tube diameter			Weight (kg)	Mounting Brackets (mm)
	suction (mm/inches)	discharge (mm/inches)	process (mm/inches)		
AE4425U	6,35 - 1/4"	4,76 - 3/16"	6,35 - 1/4"	10	170X70
AE4430U	6,35 - 1/4"	4,76 - 3/16"	6,35 - 1/4"	10,1	170X70
AE4440U	9,5 - 3/8"	6,35 - 1/4"	6,35 - 1/4"	10,2	178X114,3
AE4450U	9,5 - 3/8"	6,35 - 1/4"	6,35 - 1/4"	10,5	178X114,3
AE4460U	9,5 - 3/8"	6,35 - 1/4"	6,35 - 1/4"	11,2	178X114,3

AE² Technical Data

LBP R290

Models	voltage types available	Displacement (cm ³)	Motor Type	Refrigeration Capacity (Watt) EN12900 T° condensing +40°C, sub-cooling 0K, RTG 20°C						EN12900 T° evaporating -35°C	
				T° evaporating						P abs	COP
				-35°C	-30°C	-25°C	-20°C	-15°C	-10°C		
AE2410U	FZ	5,48	CSIR	133	180	229	286	351	426	128	1,04
AE2415U	FZ	8,85	CSIR	219	288	366	457	562	682	215	1,02
AE2420U	FZ	10,96	CSIR	274	357	454	567	697	846	264	1,04

Models	tube diameter			Weight (kg)	Mounting Brackets (mm)
	suction (mm/inches)	discharge (mm/inches)	process (mm/inches)		
AE2410U	6,35 - 1/4"	4,76 - 3/16"	6,35 - 1/4"	10,5	170X70
AE2415U	6,35 - 1/4"	4,76 - 3/16"	6,35 - 1/4"	10,6	170X70
AE2420U	9,5 - 3/8"	6,35 - 1/4"	6,35 - 1/4"	10,6	165X101,6

Benefits AE² compared to AE Range

HBP R404A

Compressors	Displacement CC	Motor	Cooling capacity (Watt) EN12900 condensing T° +45°C , subcooling 0K, Return Gas 20°C							EN12900 evaporating T° -10°C		Weight Kg
			evaporating T°							Power input(Watt)	COP (W/W)	
			-15	-10	-5	0	5	10	15			
AE4425Z	4,24	CSIR	257	326	407	502	613	741	889	213	1,53	10
AEZ4425Z	4,5	CSIR	256	327	408	499	599	705	818	241	1,36	10
											11%	
AE4430Z	5,16	CSIR	320	404	500	611	740	888	1057	266	1,52	10
AEZ4430Z	5,7	CSIR	337	425	526	638	760	890	1027	301	1,41	10
											7%	
AE4440Z	6,69	CSIR	433	546	676	826	1000	1199	1427	341	1,60	10,2
AEZ4440Z	7,6	CSIR	462	574	707	857	1024	1205	1396	376	1,53	11,2
											5%	
AE4450Z	8,85	CSIR	576	720	885	1074	1289	1534	1812	445	1,62	10,5
CAE4450Z	9,4	CSIR	504	652	823	1020	1247	1508	1806	486	1,34	12,3
											17%	
AE4460Z	10,33	CSIR	713	875	1062	1275	1519	1799	2117	524	1,67	11
CAE4460Z	11,3	CSIR	645	819	1020	1253	1520	1828	2180	578	1,42	12,3
											15%	
AE4470Z	12,01	CSR	843	1035	1251	1495	1773	2088	2447	620	1,67	11,2
CAE9470Z	13,3	CSR	803	1008	1246	1520	1835	2195	2605	608	1,66	13,3
											1%	

AE² efficiency is better than current AEZ/AE (+1 to +17%)

Benefits AE² compared to AE Range

HBP R134a

Compressors	Displacement CC	Motor	Cooling capacity (Watt) EN12900 condensing T° +45°C , subcooling 0K, Return Gas 20°C							EN12900 evaporating T° -10°C		Weight Kg
			evaporating T°							Power input(Watt)	COP (W/W)	
			-15	-10	-5	0	5	10	15			
AE4425Y	6,69	CSIR	266	342	424	519	633	770	938	199	1,72	9,1
AEZ4425Y	7,6	CSIR	239	320	414	522	641	771	912	205	1,56	9,7
											9%	
AE4430Y	8,02	CSIR	294	382	488	613	760	930	1127	237	1,61	9,4
AEZ4430Y	8,8	CSIR	316	404	512	639	784	946	1122	258	1,57	10,2
											3%	
AE4440Y	10,33	CSIR	399	508	637	790	968	1176	1417	302	1,68	9,6
CAE4440Y	12	CSIR	399	519	666	837	1033	1250	1489	342	1,52	10,8
											10%	
AE4450Y	13,24	CSIR	526	672	843	1042	1273	1540	1847	370	1,82	10,5
CAE4448Y	14,2	CSIR	519	654	822	1023	1253	1512	1797	400	1,64	11,9
											10%	
AE4456Y	14,51	CSIR	579	737	921	1133	1380	1664	1990	424	1,74	11
CAE4456Y	16	CSIR	590	744	933	1156	1411	1695	2006	486	1,53	12,5
											12%	
AE4460Y	15,09	CSR	597	766	958	1181	1437	1732	2070	409	1,87	11,3

AE² efficiency is better than current AEZ/AE (+3 to + 12%)

Benefits AE² compared to AE Range

LBP R404A

compressors	Displacement CC	Motor	Cooling capacity (Watt) EN12900 condensing T° +40°C , sub cooling 0K, Return gas 20°C						EN12900 evaporating T° -35°C		Weight Kg
			evaporating T°						Power input(Watt)	COP (W/W)	
			-35°C	-30°C	-25°C	-20°C	-15°C	-10°C			
AE2410Z	5,02	CSIR	140	189	246	315	398	496	159	0,88	9,9
AEZ2411Z	7,6	CSIR	150	209	280	365	467	586	215	0,70	10
										21%	
AE2415Z	6,69	CSIR	194	260	338	429	535	658	215	0,90	10
AEZ2415Z	8,1	CSIR	185	254	337	436	551	685	232	0,80	11,3
										12%	
AE2420Z	9,35	CSIR	265	346	451	578	730	911	305	0,87	10,1
CAE2420Z	12,6	CSIR	313	415	537	679	841	1023	412	0,76	12,3
										13%	
AE2425Z	12,01	CSR	334	450	587	752	949	1184	367	0,91	10,1
CAE2424Z	15,1	CSR	313	432	578	754	963	1208	391	0,80	13,2
										12%	

AE² efficiency is better than current AEZ/AE (+12 to +21%)

AE² Spare Part References

Compressor Model	Code Kit PRA	Description	Silent bloc
AE4425Y-FZ	8655331	KIT CSIR AE4425Y-FZ	8682003
AE4425Y-GS	8655358	KIT CSIR AE4425Y-GS	8682003
AE4425Y-AA	8655372	KIT CSIR AE4425Y-AA	8682003
AE4430Y-FZ	8655321	KIT CSIR AE4430Y-FZ	8682003
AE4430Y-AA	8655346	KIT CSIR AE4430Y-AA	8682003
AE4430Y-GS	8655383	KIT CSIR AE4430Y- GS	8682003
AE4440Y-FZ	8655322	KIT CSIR AE4440Y-FZ	8682040
AE4440Y-AA	8655351	KIT CSIR AE4440Y-AA	8682040
AE4440Y-GS	8655350	KIT CSIR AE4440Y-GS	8682040
AE4450Y-FZ	8655327	KIT CSIR AE4450Y-FZ	8682040
AE4450Y-AA	8655352	KIT CSIR AE4450Y-AA	8682040
AE4450Y-ES	8655354	KIT CSIR AE4450Y-ES	8682040
AE4450Y-FS	8655390	KIT CSIR AE4450Y-FS	8682040
AE4450Y-GS	8655389	KIT CSR AE4450Y-GS	8682040
AE4456Y-FZ	8655326	KIT CSIR AE4456Y-FZ	8682040
AE4456Y-AA	8655376	KIT CSIR AE4456Y-AA	8682040
AE4460Y-FZ	8655332	KIT CSR AE4460Y-FZ	8682040
AE4460Y-GS	8655396	KIT CSR AE4460Y-GS	8682040
AE4460Y-AA	8655401	KIT CSR AE4460-AA	8682040
AE4425Z-FZ	8655325	KIT CSIR AE4425Z-FZ	8682003
AE4425Z-GS	8655349	KIT CSIR AE4425Z-GS	8682003
AE4425Z-AA	8655356	KIT CSIR AE4425Z-AA	8682003
AE4430Z-FZ	8655328	KIT CSIR AE4430Z-FZ	8682003
AE4430Z-AA	8655384	KIT CSIR AE4430Z-AA	8682003
AE4430Z-GS	8655377	KIT CSIR AE4430Z-GS	8682003
AE4440Z-FZ	8655324	KIT CSIR AE4440Z-FZ	8682040
AE4440Z-AA	8655385	KIT CSIR AE4440Z-AA	8682040
AE4440Z-GS	8655353	KIT CSIR AE4440Z-GS	8682040
AE4450Z-FZ	8655333	KIT CSIR AE4450Z-FZ	8682040
AE4450Z-AA	8655394	KIT CSIR AE4450Z-AA	8682040
AE4450Z-FS	8655359	KIT CSIR AE4450Z-FS	8682040
AE4450Z-ES	8655373	KIT CSIR AE4450Z-ES	8682040
AE4450Z-GS	8655380	KIT CSR AE4450Z-GS	8682040
AE4460Z-FZ	8655323	KIT CSIR AE4460Z-FZ	8682040
AE4460Z-AA	8655370	KIT CSIR AE4460Z-AA	8682040
AE4460Z-GS	8655378	KIT CSR AE4460Z-GS	8682040
AE4470Z-FZ	8655341	KIT CSR AE4470Z-FZ	8682050
AE4470Z-AA	8655375	KIT CSR AE4470Z-AA	8682050
AE4470Z-ES	8655374	KIT CSR AE4470Z-ES	8682050
AE4470Z-FS	8655391	KIT CSR AE4470Z-FS	8682050

AE² Spare Part References

Compressor Model	Code Kit PRA	Description	Silent bloc
AE2410Z-FZ	8655337	KIT CSIR AE2410Z-FZ	8682003
AE2410Z-AA	8655388	KIT CSIR AE2410Z-AA	8682003
AE2410Z-GS	8655398	KIT CSIR AE2410Z-GS	8682003
AE2415Z-FZ	8655329	KIT CSIR AE2415Z-FZ	8682003
AE2415Z-AA	8655395	KIT CSIR AE2415Z-AA	8682003
AE2415Z-GS	8655379	KIT CSIR AE2415Z-GS	8682003
AE2420Z-FZ	8655339	KIT CSIR AE2420Z-FZ	8682040
AE2420Z-AA	8655338	KIT CSIR AE2420Z-AA	8682040
AE2420Z-GS	8655392	KIT CSR AE2420Z-GS	8682050
AE2425Z-FZ	8655342	KIT CSR AE2425Z-FZ	8682050
AE2425Z-AA	8655371	KIT CSR AE2425Z-AA	8682050
AE2425Z-ES	8655393	KIT CSR AE2425Z-ES	8682050
AE2425Z-FS	8655397	KIT CSR AE2425Z-FS	8682050
AE2410U-FZ	8655357	KIT CSIR AE2410U-FZ	8682003
AE2415U-FZ	8655330	KIT CSIR AE2415U-FZ	8682003
AE2420U-FZ	8655345	KIT CSIR AE2420U-FZ	8682040
AE4425U-FZ	8655343	KIT CSIR AE4425U-FZ	8682003
AE4430U-FZ	8655334	KIT CSIR AE4430U-FZ	8682003
AE4440U-FZ	8655335	KIT CSIR AE4440U-FZ	8682040
AE4450U-FZ	8655336	KIT CSIR AE4450U-FZ	8682040
AE4460U-FZ	8655347	KIT CSIR AE4460U-FZ	8682040

AE² Multiple Packaging

Collective Packaging (Euro and Standard Pallet)		
	No. of Layers per Pallet	Total Qty per Pallet
AE2 standard	4	64
AE ² CSR with electrical junior box	4	40
AE ² CSR without electrical junior box	4	48

AE² Unitary Packaging

Unitary Packaging					
Euro Pallet	No. of Layers per Pallet	Total Qty per Pallet	Standard Pallet	No. of Layers per Pallet	Total Qty per Pallet
AE2 standard CSIR	1	16	AE2 standard CSIR	1	20
	2	32		2	40
	3	48		3	60
	4	64		4	80
AE ² CSR with electrical junior box	1	12	AE ² CSR with electrical junior box	1	12
	2	24		2	24
	3	36		3	36
	4	48		4	48

AE² Condensing Units

AE² CONDENSING UNIT RANGE - MODELS AVAILABLE

R134a HBP				
References	Voltages available			
Condensing Unit				
AE 4425 YHR	FZ	AA	GS	
AET 4425 YHR	FZ			
AE 4430 YHR	FZ	AA	GS	
AET 4430 YHR	FZ	AA	GS	
AE 4440 YHR	FZ	AA	GS	
AET 4440 YHR	FZ		GS	
AE 4450 YHR	FZ	AA	GS	ES/FS
AET 4450 YHR	FZ		GS	ES
AE 4456 YHR	FZ	AA	GS	
AET 4456 YHR	FZ		GS	
AE 4460 YHR	FZ	AA	GS	
AET 4460 YHR	FZ	AA	GS	

R404A HBP				
References	Voltages available			
Condensing Unit				
AE 4425 ZHR	FZ	AA	GS	
AET 4425 ZHR	FZ		GS	
AE 4430 ZHR	FZ	AA	GS	
AET 4430 ZHR	FZ			
AE 4440 ZHR	FZ	AA	GS	
AET 4440 ZHR	FZ		GS	
AE 4450 ZHR	FZ	AA	GS	ES/FS
AET 4450 ZHR	FZ	AA	GS	ES
AE 4460 ZHR	FZ	AA	GS	
AET 4460 ZHR	FZ		GS	
AE 4470 ZHR	FZ	AA	GS	ES/FS
AET 4470 ZHR	FZ		GS	

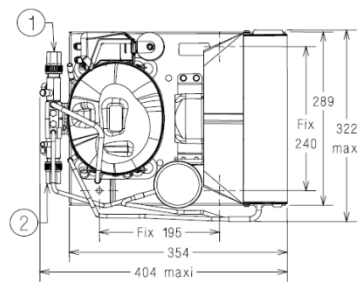
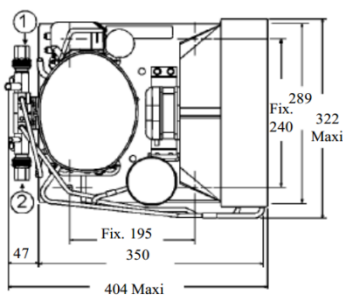
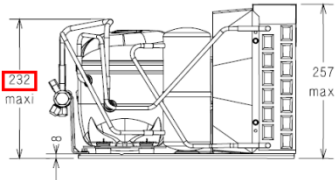
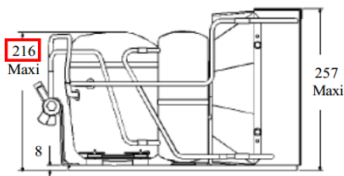
R404A LBP				
References	Voltages available			
Condensing Unit				
AE 2410 ZBR	FZ	AA	GS	
AET 2410 ZBR	FZ		GS	
AE 2415 ZBR	FZ	AA	GS	
AET 2415 ZBR				
AE 2420 ZBR	FZ			
AET 2420 ZBR	FZ	AA	GS	ES
AE 2425 ZBR	FZ	AA		ES/FS
AET 2425 ZBR	FZ			

R22				
References	Voltages available			
Condensing Unit				
AE4425EHR	FZ			
AE4430EHR	FZ			
AET4440EHR	FZ			
AE4450EHR	FZ			
AE4460EHR	FZ			
AET4460EHR	FZ			

AE² Condensing Units

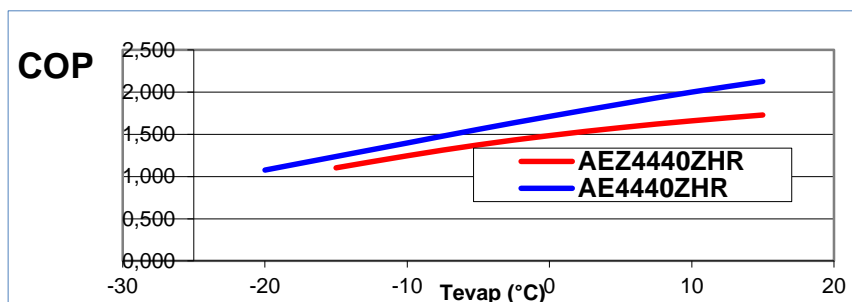
No modification of your installation, upgrade performance

- No modification of the panel dimension
- Same connection (size and placement) for each condensing unit



AEZ4430YHR

AE4430YHR-FZ



- The improved COP of the AE² compressor is transferred to the condensing unit (COP improved by +10 to +20%)

AE² Condensing Units

Technical Data

HBP R134a

Models	Rated voltage code I max	Cooling capacity in W EN13215, ambient temp. 32°C, superheating 10K subcooling 3K Evaporating temperature:							EN 13215 Evaporating 5°C Amb. 32°C Suction gas 20°C		Acoustics dB(A)*	Connection diameter		Receiver Liters
		-15°C	-10°C	-5°C	0°C	5C	+10°C	+15°C	Cooling capacity (W)	Power input (W)		Pressure at 10m	Suction (Inch)	
AE4425YHR	FZ / 2,6	211	278	353	434	521	614	709	533	298	27	3/8	1/4	0,75
AET4425YHR	FZ / 2,6	223	297	381	475	579	693	816	590	281	27	3/8	1/4	0,75
AE4430YHR-FZ	FZ / 2,8	297	381	478	589	713	849	998	727	340	27	3/8	1/4	0,75
AET4430YHR	FZ / 4,0	297	383	483	599	729	876	1037	744	397	33	3/8	1/4	0,75
AE4440YHR-FZ	FZ / 3,4	384	480	588	709	843	988	1146	861	461	28	3/8	1/4	0,75
AET4440YHR	FZ / 4,6	398	501	620	757	911	1084	1276	929	501	38	3/8	1/4	0,75
AE4450YHR	FZ / 5,2	511	640	784	945	1123	1316	1526	1146	625	33	3/8	1/4	0,75
AE4460YHR	FZ / 6,0	584	733	900	1085	1289	1511	1752	1316	671	27	1/2	1/4	0,75
AE4456YHR	FZ / 5,6	565	707	867	1044	1239	1452	1683	1265	696	38	3/8	1/4	0,75
AET4450YHR	FZ / 5,2	519	662	825	1012	1222	1459	1724	1245	579	38	3/8	1/4	0,75

HBP R404A

Models	Rated voltage code I max (A)	Cooling capacity in W EN13215, ambient temp. 32°C, superheating 10K subcooling 3K Evaporating temperature:					EN 13215 Evaporating -10°C Amb. 32°C Suction gas 20°C		Acoustics dB(A)*	Connection diameter		Receiver Liters
		-15°C	-10°C	-5°C	0°C	5°C	Cooling capacity (W)	Power input (W)		Pressure at 10m	Suction (Inch)	
AE4425ZHR	FZ / 3,0	242	299	363	435	515	335	252	27	3/8	1/4	0,75
AET4425ZHR	FZ / 3,5	257	322	397	483	579	359	246	27	3/8	1/4	0,75
AE4430ZHR	FZ / 3,1	314	391	477	573	678	435	291	28	3/8	1/4	0,75
AET4430ZHR	FZ / 3,5	317	395	483	595	689	440	351	33	3/8	1/4	0,75
AE4440ZHR	FZ / 4,3	431	534	651	781	927	594	425	33	3/8	1/4	0,75
AET4440ZHR	FZ / 4,4	423	523	636	761	899	583	428	35	3/8	1/4	0,75
AE4450ZHR	FZ / 5,7	543	664	796	939	1093	743	538	38	3/8	1/4	0,75
AET4450ZHR	FZ / 5,7	595	741	906	1093	1302	820	518	38	3/8	1/4	0,75
AE4460ZHR	FZ / 6,5	598	707	826	954	1095	803	645	38	3/8	1/4	0,75
AET4460ZHR	FZ / 6,5	719	876	1053	1252	1475	972	596	38	3/8	1/4	0,75
AE4470ZHR	FZ / 5,9	823	998	1194	1411	1652	1112	702	38	3/8	1/4	0,75
AET4470ZHR	FZ / 5,9	831	1011	1211	1434	1681	1125	700	37	3/8	1/4	0,75

LBP R404A

Models	Rated voltage code I max (A)	Cooling capacity in W EN13215, ambient temp. 32°C, superheating 10K subcooling 3K Evaporating temperature:					EN 13215 Evaporating -35°C Amb. 32°C Suction gas 20°C		Acoustics dB(A)*	Connection diameter		Receiver Liters
		-30°C	-25°C	-20°C	-15°C	-10°C	Cooling capacity (W)	Power input (W)		Pressure at 10m	Suction (Inch)	
AE2410ZBR	FZ / 2,7	144	190	241	299	363	131	184	28	3/8	1/4	0,75
AE2415ZBR	FZ / 3,2	205	259	319	383	452	199	243	28	3/8	1/4	0,75
AET2415ZBR	FZ / 3,6	221	282	351	429	514	211	241	28	3/8	1/4	0,75
AE2420ZBR	FZ / 4,6	271	346	430	524	626	258	290	28	3/8	1/4	0,75
AET2420ZBR	FZ / 5,0	285	363	453	553	664	271	339	38	3/8	1/4	0,75
AE2425ZBR	FZ / 4,8	358	455	564	683	814	343	411	33	3/8	1/4	0,75
AET2425ZBR	FZ / 4,8	396	512	646	800	975	369	414	38	3/8	1/4	0,75

Discontinued AE/AEZ Products

Following the successful launch of the redesigned AE² product line, Tecumseh is simplifying our overall product offering within this range by phasing out or discontinuing certain compressors and condensing units. In this context, the AE/AEZ product types mentioned below will discontinue to be manufactured as of July 2014:

AEZ/AE, HBP/MHBP, R22 compressors and condensing units voltage HZ, GZ, XA

Compressors				Condensing Units				
Designation	Voltage	Reference Nr.	Potential Cross Ref.	Designation	Voltage	Reference Nr.	Potential Cross Ref.	
AEZ3440E	HZ	2A98000210						
AEZ4425E	GZ	2A38490311						
	HZ	2A38400311 2A38400308						
AEZ4430E	GZ	2A38190311		AEZ4430EH	GZ	4A38190002		
	HZ	2A38100308 2A38100311			HZ	4A38100002		
	XA	2A38110311						
AEZ4440E	GZ	2A94890111		AEZ4440EH	GZ	4A94890040		
		2A94890211			GZ	4A94890245		
	XA	2A94810111		AEZ4440EHR	XA	4A94810258		
		2A94810211						
	HZ	2A94800211 2A94800216						
AEZ9440T	XA	2A96710205		AEZ9440TMHR	XA	4A96710202 4A96710215		
	CZ	2A96700205						
	GZ	2A96790205						
CAE2416E	GZ	2B82390205						
CAE2420E	GZ	2B82790205						
CAE4450E	GZ	2B86490231		CAE4450EH	GZ	4B86490060		
		2B86400233 2B86400231			HZ	4B86490060		
	XA	2B86410231		CAE4450EHR	GZ	4B86490260 4B86490270		
CAE9450T	GZ	2B85490205		CAE9450TMHR	GZ	4B85490202		
	HZ	2B85400205			HZ	4B85400202		
	XA	2B85410205						
CAE9460T	GZ	2B85990205		CAE9460TMH	GZ	4B85990132 4B85990002		
		2B85900205						
	XA	2B85910205			CAE9460TMHR	GZ	4B85990202 4B85990204	
						HZ	4B85900202	
					XA	4B85910278 4B85910202		

Nota: the R22 compressors voltage FZ will be replaced in AE²

Discontinued AE/AEZ Products

AEZ/AE Air Conditioning R22 /R407C compressors

<u>AE Air Conditioning with R22/407C</u>				
Refrigerant	Designation	Voltage	Reference	Potential Cross Ref.
<u>R22</u>	AE5465E	FZ	2B87230203 2B87230204	AE4460E-FZ (CSIR version)
		CZ	2B87280204	
	AE5470E	FZ	2B88030203	AE4470E-FZ (CSR version)
			2B88030204	
			2B88030803	
		CZ	2B88080204	
			2B88080222	
		HZ	2B88000204	
	XA	2B88010204		
		2B88010222		

AEZ/AE LBP Compressors R22

Designation	Voltage	Reference Nr.	Potential Cross Ref.
CAE2416E	GZ	2B82390205	
CAE2420E	GZ	2B82790205	

Discontinued AE/AEZ Products

AEZ/AE, LBP, R134a compressors and condensing units

AEZ/AE LBP R134a							
Compressor				Condensing Unit			
Designation	Voltage	Reference	Potential Cross Ref.	Designation	Voltage	Reference	Potential Cross Ref.
AE1410Y	CZ	2B60780107					
		GZ	2B60790110				
	2B70790110						
	XA		2B60710107				
		2B60710110					
		2B70710110					
2B70710111							
GZ	2B61490110						
	HZ	2B61400110					
AE1412Y	XA	2B71410111					
		2B71410110					
AE2410YS	KS	AE600KS731A067IE					
AEZ1365Y	GZ	2A33790310					
		2A43710311					
		2A43710310					
AEZ1370Y	XA	2A33890310					
		2A33810310					
		2A43810310					
	XA	2A43810311					
		2A36510307					
		2A36510310					
		2A46510110					
		2A46510310					
	GZ	2A46510311					
		2A36590310					
		2A46590307					
	HZ	2A46590310					
		2A36500307					
	CZ	2A36500310					
		2A36580310					
		2A36580307					
	AEZ2380Y	FZ	2A33230308				
2A33230311							
2A43230311							
XA		2A33200311					
	2A33210311						
CAE2410Y	GZ	2B63190111					
		2B60990111					
	HZ	2B60900108					
		2B60900111	THB4410YHZ				
XA	2B70900111						
	2B60910111	THB4410YXA					
CAE2412Y	GZ	2B70910111					
		2B61690111					
	HZ	2B61600111	THB4413YWZ				
		2B61600108					
XA	2B71610111	THB4413YXA					
	2B61610111						
CAE2414Y	GZ	2B63490111	THB4415YHZ				
		2B81790231					
	XA	2B81710231	THB4415YXA				
		2B81710131					
AEZ2380YBR	FZ	4A33731102					
		4A33731143					
CAE2410YB	HZ	4A33210202					
		4B60900102					
CAE2410YBR	XA	4B60910202					
		4B61600102	THB4413YH				
CAE2412YBR	HZ	4B61600237					
		4B61610202					
CAE2412YBR	XA						
CAE2414Y	HZ		THB4415Y				
		XA		THB4415Y			

Discontinued AE/AEZ Products

AEZ/AE, R12 compressors

AEZ/AE Compressors R12				AEZ/AE Condensing Units R12					
Designation	Voltage	Reference Nr.	Potential Cross Ref.	Designation	Voltage	Reference Nr.	Potential Cross Ref.		
AEZ2380C	XA	2A35710311							
	FZ	2A35730311							
	GZ	2A35790311							
AEZ1410D	XA	2A36410310							
		2A46410110							
		2A46410310							
	FZ	2A36430310							
		2A36431310							
		2A46430310							
CAE2410A	GZ	2B60890111							
	XA	2B60810111							
	HZ	2B60800111							
	FZ	2B60830108							
AEZ1380A	XA	2A35810310							
		2A45810310							
	GZ	2A45890310							
		2A35890310							
	FZ	2A35830310	AE1390Y-FZ						
AE1412A	GZ	2A35831310							
		2A45830310							
	FZ	2B61190131							
AE1410A	GZ	2B61190110							
		2B70590110							
	FZ	2B60590110							
		2B60530107							
		2B60530110							
	XA	2B70530110							
2B60510110									
CAE4456A	FZ	2B70510110							
		2B86730231	AE4456Y-FZ						
	GZ	2B86730233	AE4456Y-FZ						
AE8ZA7	XA	2A32110310	AE4456Y-GS						
AE6ZD7	XA	2A42510310							
AE6ZA7	BZ	2A33140310							
AE5ZA9	BZ	2A34040310							
AE66ZD7	BZ	2A32740310							
	CZ	2A32780310							
	XA	2A32710310							
AEZ2410D	XA	2A36610311							
	FZ	2A36630311							
CAE4ZF11	XA	2A35610311							
	FZ	2A35630311							
AE41ZF11	BZ	2A36040307	AE4430Y-FZ						
		2A36040310	AE4430Y-FZ						
AE4ZF11	BZ	2A35540310							
		2A45540310							
	XA	2A45510310							
AE59ZF9	BZ	2A45580310							
		2A35040310	AE4425Y-FZ						
	2A35040307	AE4425Y-FZ							
	2A35040110	AE4425Y-FZ							
AE3440A	FZ	2B65130110	AE4440Y-FZ						
	BZ	2B65140107	AE4440Y-FZ						
		2B65140110	AE4440Y-FZ						
AEZ1360A	FZ	2A34230310	THB1365Y						
		2A44230310							
		2A34231310							
	XA	2A34210310							
		2A44210310							
GZ	2A34290310								
CAE59ZF9	FZ	2A35130308	AE4425Y-FZ						
		2A35130311	AE4425Y-FZ						
CAE2412A	XA	2B61510111		CAE2412ABR	XA	4B61510202			
		2B71510111							
	CZ	2B61580111							
	FZ	2B61530108							
CAE41ZF11	CZ	2B61530111							
		2A36180311	AE4430Y-GS						
	XA	2A36110311	AE4430Y-AA						
		2A36130308	AE4430Y-FZ						
	FZ	2A36130311	AE4430Y-FZ						
CAE4440A	CZ	2B65580111	AE4440Y-GS	CAE4440AHR	XA	4B65510242			
		2B65510111	AE4440Y-AA						
	FZ	2B65530108	AE4440Y-FZ				FZ	4B65530202	
		2B65530111	AE4440Y-FZ						
	BZ	2B65540108	AE4440Y-GS						
2B65540111		AE4440Y-GS							

Tecumseh Europe - Headquarter
2 av. Blaise Pascal • Bat. B
38090 VAULX MILIEU • France
Tel: +33 (0) 4 74 82 24 00
www.tecumseh.com



Tecumseh

©2013 Tecumseh Products Company. All Rights Reserved.